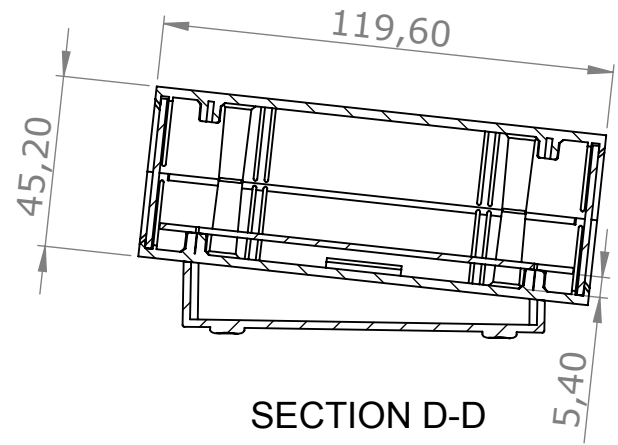
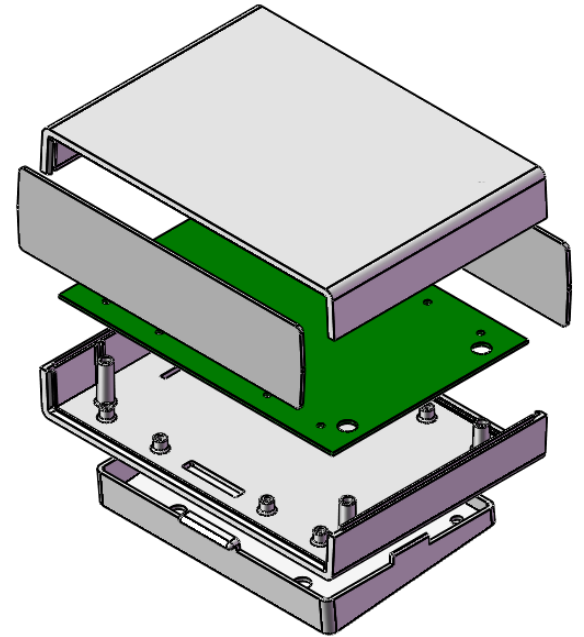



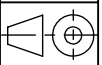
SECTION E-E

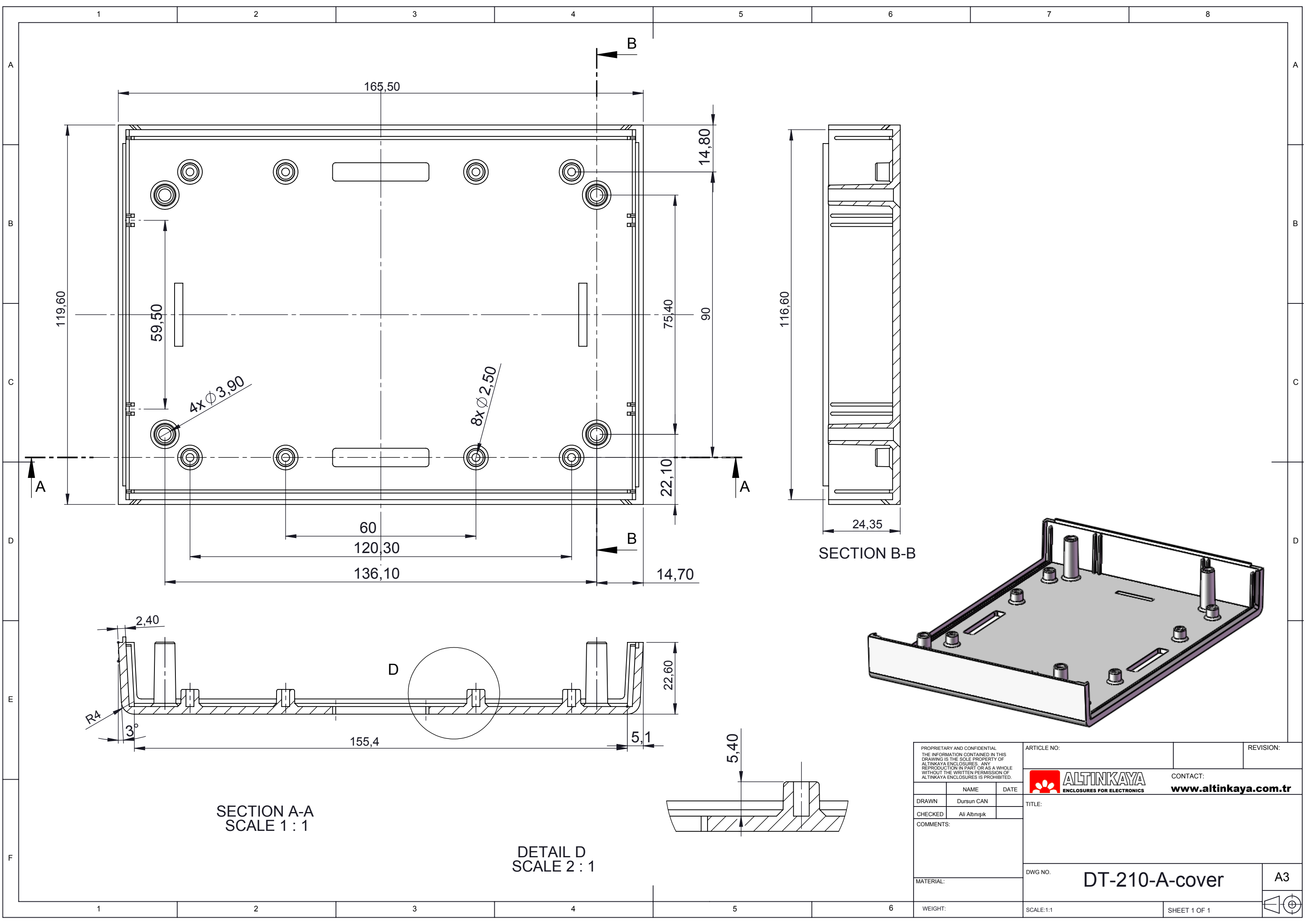


SECTION D-D



	NAME	DATE	ARTICLE NO:	REVISION:	TITLE:
DRAWN	Dursun CAN				DT 210 A Inclined Based Desktop Enclosure
CHECKED	Ali Altınışık				
 ALTINKAYA ENCLOSURES FOR ELECTRONICS www.altinkaya.com.tr			COMMENTS: DIMENSIONS ARE IN MILLIMETERS. DEBUR AND BREAK SHARP EDGES		DWG NO.
PROPRIETARY AND CONFIDENTIAL THE INFORMATION CONTAINED IN THIS DRAWING IS THE SOLE PROPERTY OF ALTINKAYA ENCLOSURES. ANY REPRODUCTION IN PART OR AS A WHOLE WITHOUT THE WRITTEN PERMISSION OF ALTINKAYA ENCLOSURES IS PROHIBITED.			MATERIAL:		DT-210-A-Assembly
			WEIGHT:		A4
			SCALE:1:2		
			SHEET 1 OF 1		




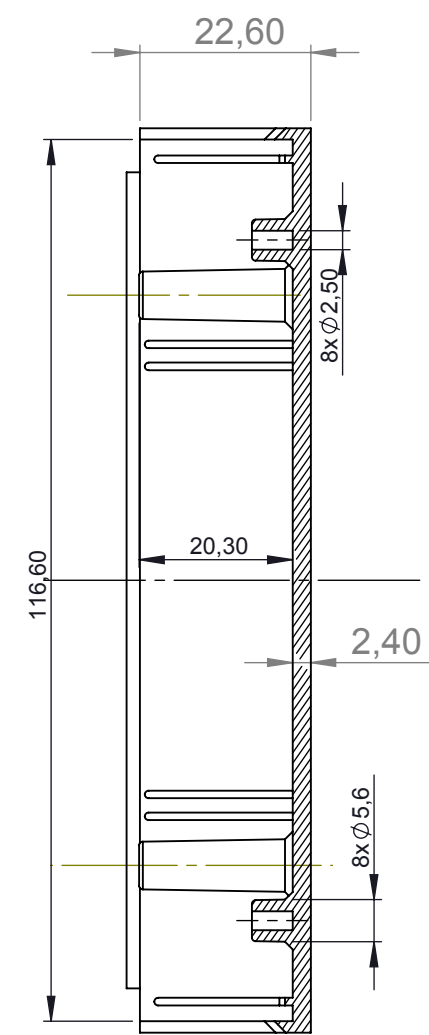
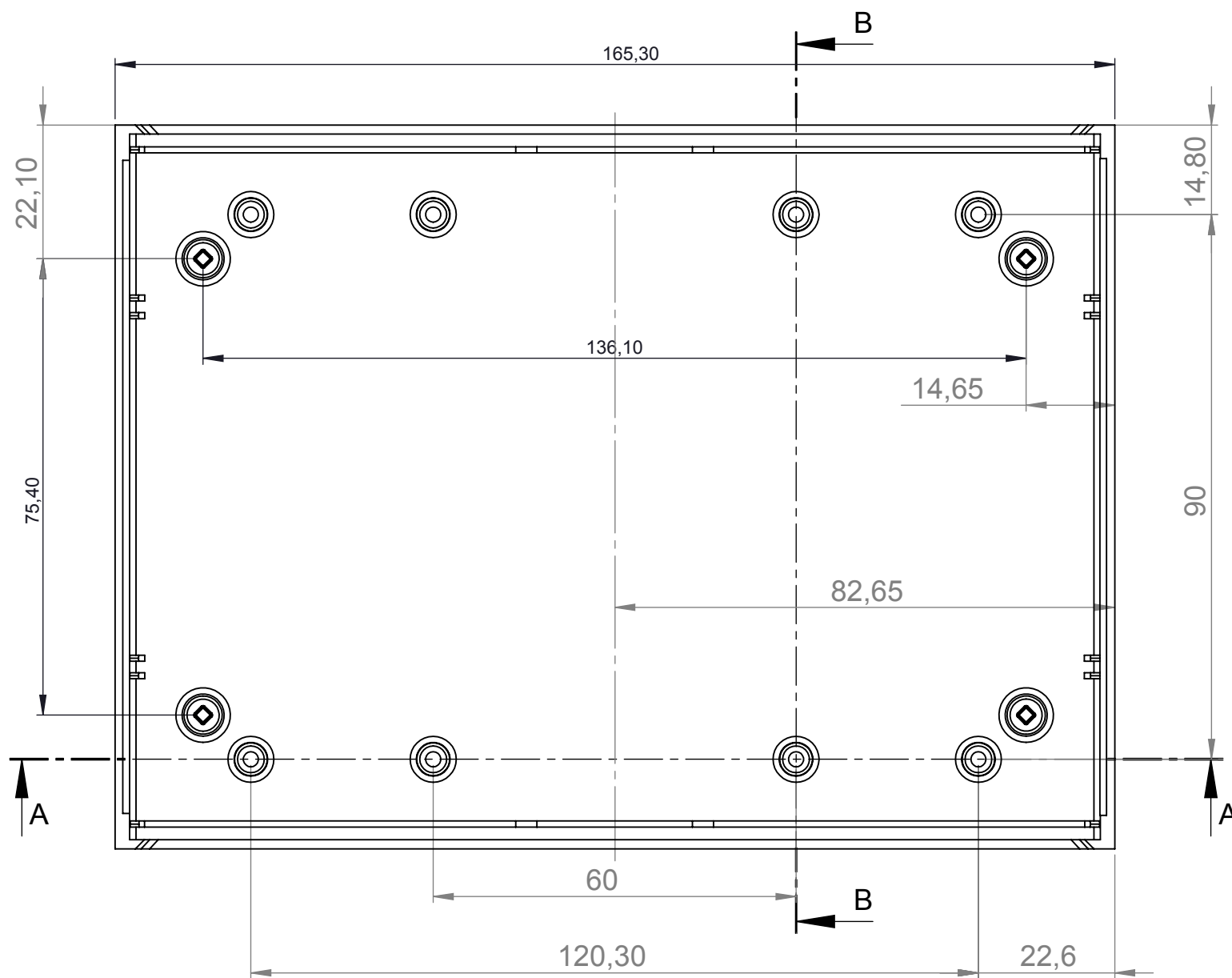


SECTION A-A
SCALE 1 : 1

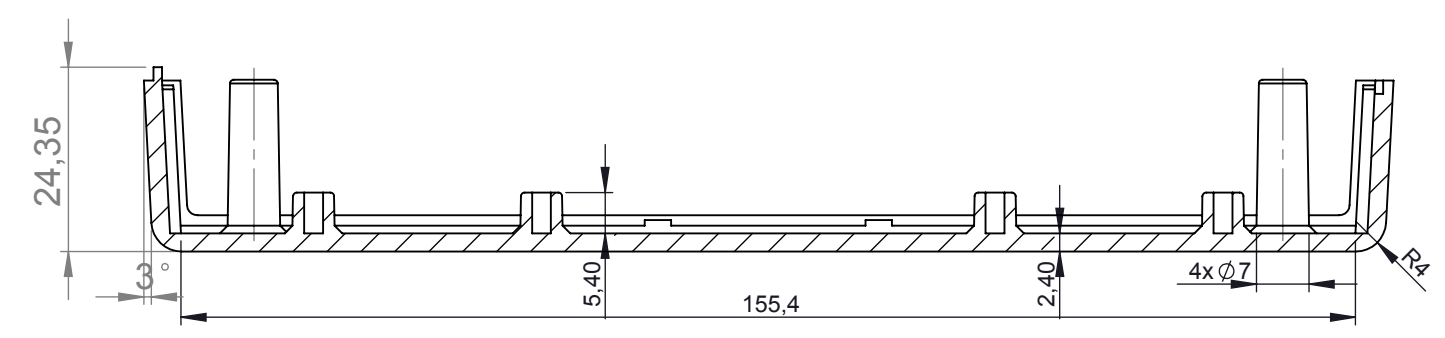
DETAIL D
SCALE 2 : 1

SECTION B-B

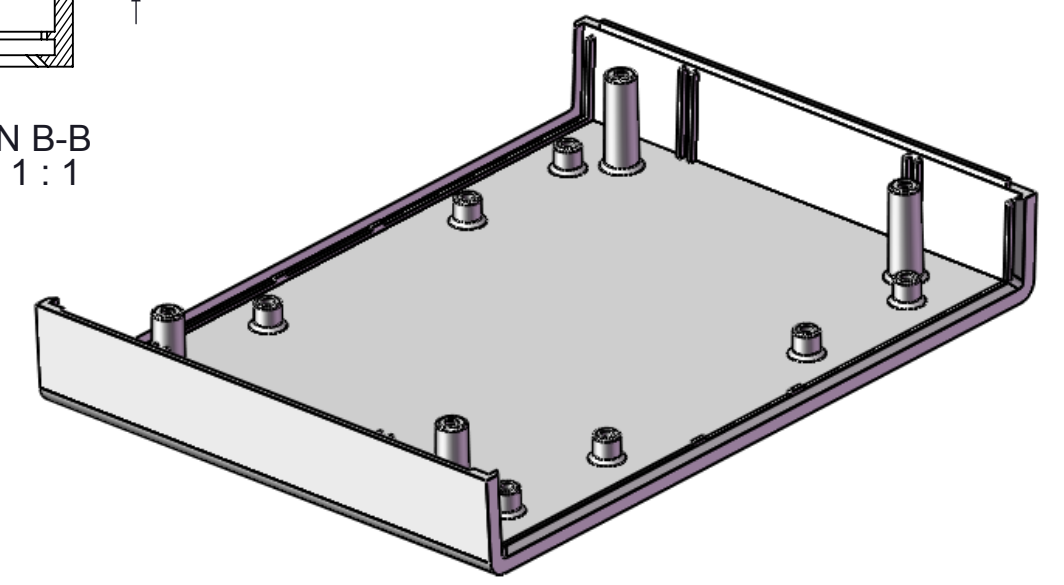
<small>PROPRIETARY AND CONFIDENTIAL THE INFORMATION CONTAINED IN THIS DRAWING IS THE SOLE PROPERTY OF ALTINKAYA ENCLOSURES. ANY REPRODUCTION IN PART OR AS A WHOLE WITHOUT THE WRITTEN PERMISSION OF ALTINKAYA ENCLOSURES IS PROHIBITED.</small>		ARTICLE NO.:	REVISION:
DRAWN: Dursun CAN CHECKED: Ali Altınışık COMMENTS:	DATE: NAME: MATERIAL:	 ALTINKAYA <small>ENCLOSURES FOR ELECTRONICS</small>	CONTACT: www.altinkaya.com.tr
DWG NO. DT-210-A-cover		A3	
WEIGHT:	SCALE:1:1	SHEET 1 OF 1	




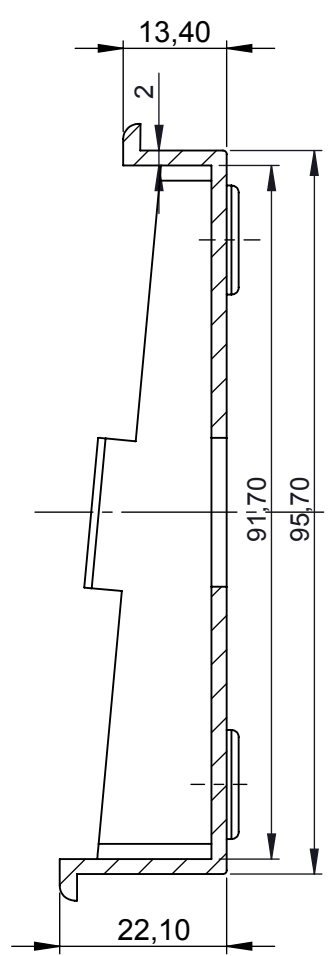
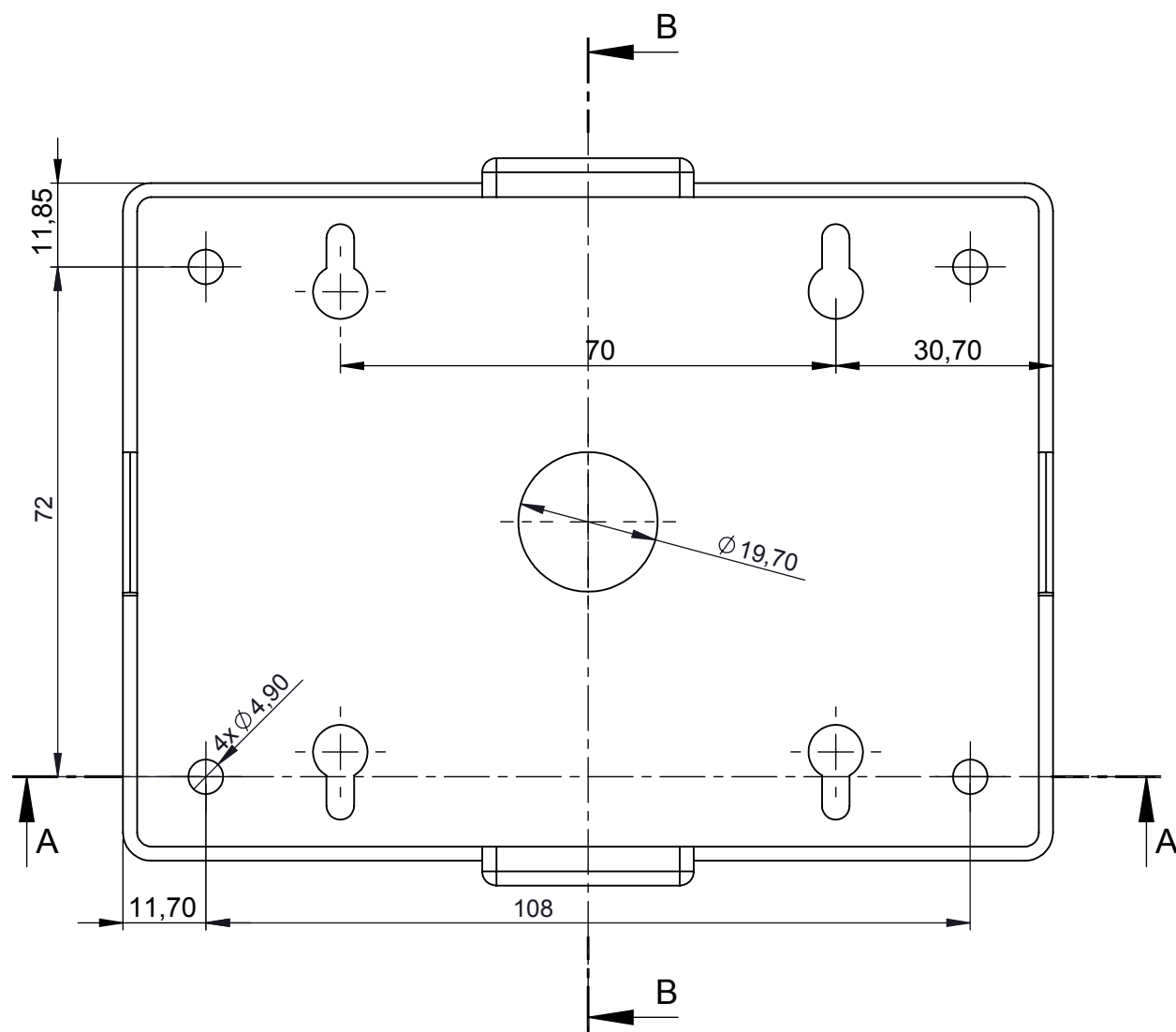
SECTION B-B
SCALE 1 : 1



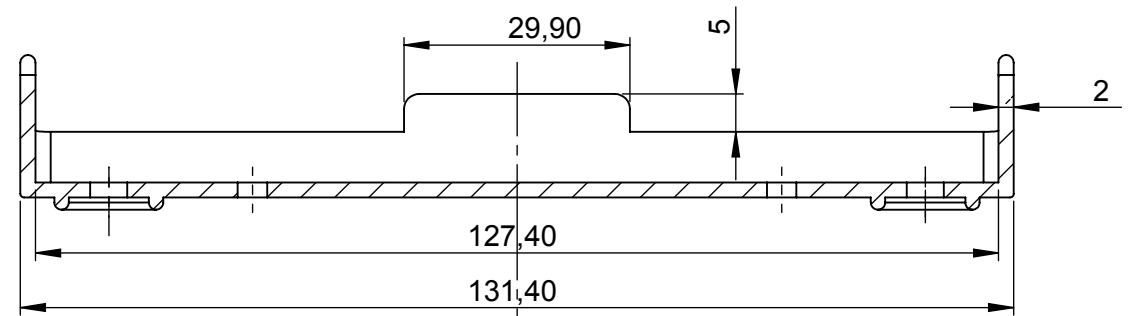
SECTION A-A
SCALE 1 : 1



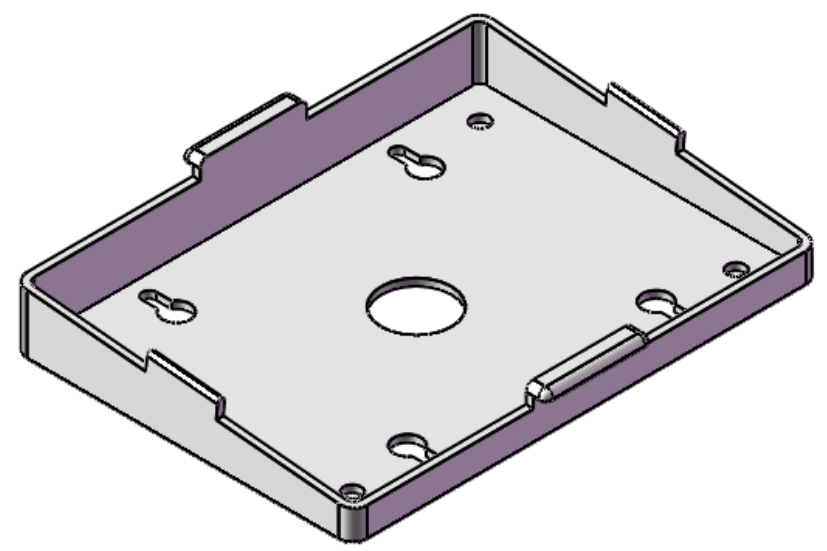
<small>PROPRIETARY AND CONFIDENTIAL THE INFORMATION CONTAINED IN THIS DRAWING IS THE SOLE PROPERTY OF ALTINKAYA ENCLOSURES. ANY REPRODUCTION IN PART OR AS A WHOLE WITHOUT THE WRITTEN PERMISSION OF ALTINKAYA ENCLOSURES IS PROHIBITED.</small>		ARTICLE NO:	REVISION:
<small>DRAWN</small> <small>CHECKED</small> <small>COMMENTS:</small>		 ALTINKAYA ENCLOSURES FOR ELECTRONICS	<small>CONTACT:</small> www.altinkaya.com.tr
<small>MATERIAL:</small>		<small>TITLE:</small> <h1>DT-210-A-Upper-Body</h1>	
<small>WEIGHT:</small>		<small>DWG NO.</small>	<small>A3</small>
<small>SCALE:1:1</small>		<small>SHEET 1 OF 1</small>	




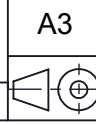
SECTION B-B
SCALE 1 : 1

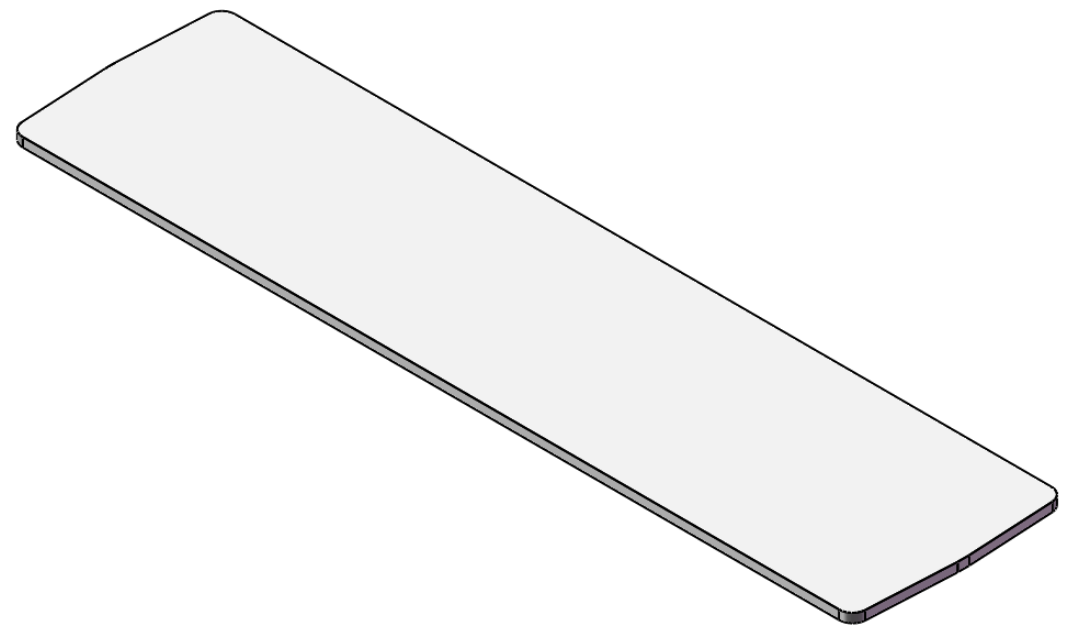
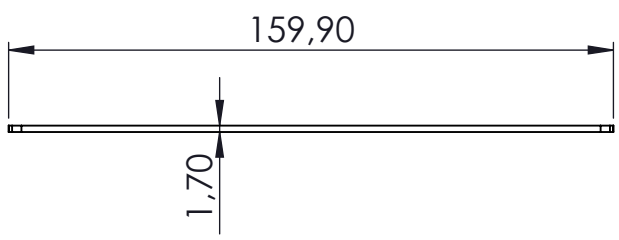
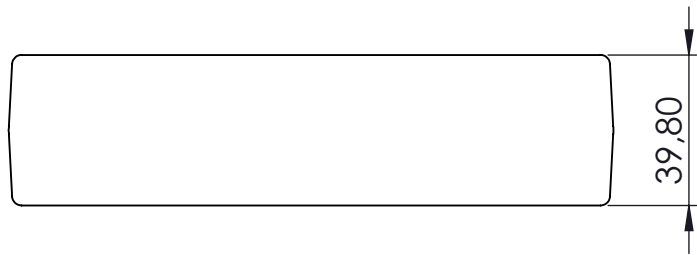



SECTION A-A
SCALE 1 : 1

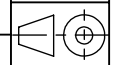


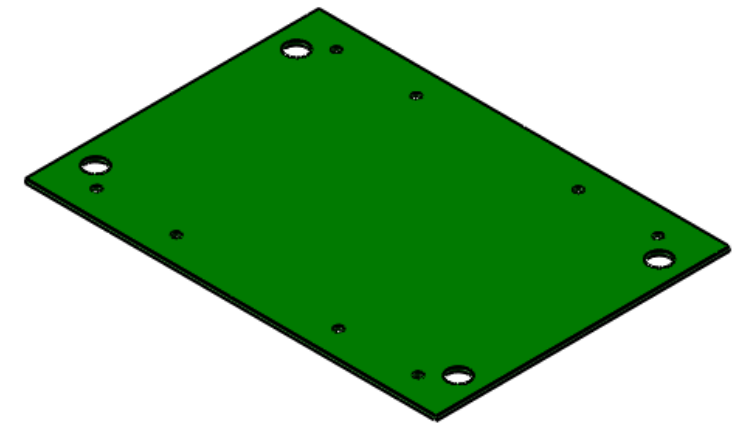
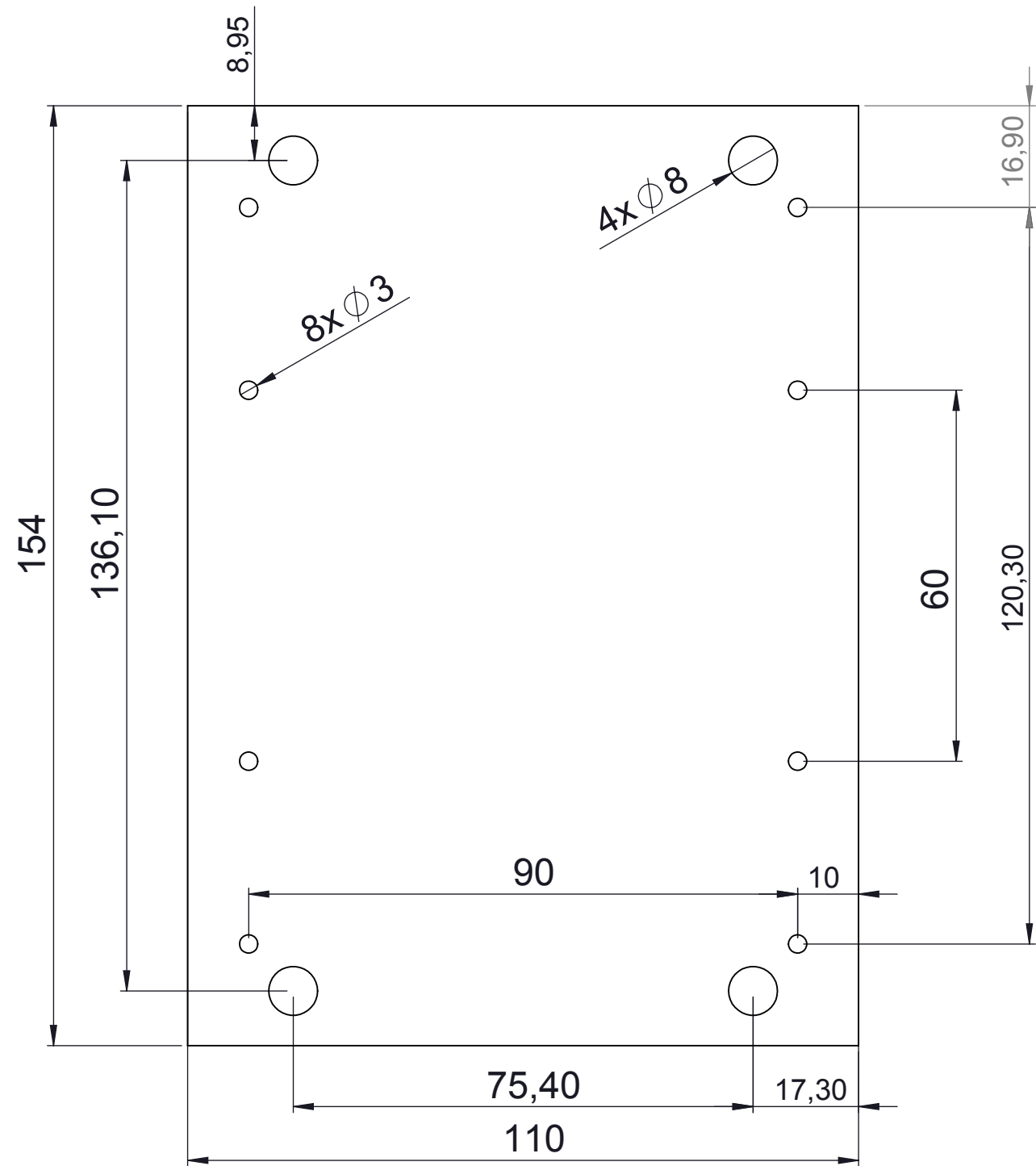
<small>PROPRIETARY AND CONFIDENTIAL THE INFORMATION CONTAINED IN THIS DRAWING IS THE SOLE PROPERTY OF ALTINKAYA ENCLOSURES. ANY REPRODUCTION IN PART OR AS A WHOLE WITHOUT THE WRITTEN PERMISSION OF ALTINKAYA ENCLOSURES IS PROHIBITED.</small>		ARTICLE NO.:	REVISION:
<small>DRAWN</small> Dursun CAN			CONTACT: www.altinkaya.com.tr
<small>CHECKED</small> Ali Altınışık			TITLE:
<small>COMMENTS:</small>		<small>DWG NO.</small> DT-210-A-Lower-Body	
<small>MATERIAL:</small>		<small>SCALE:</small> 1:1	
<small>WEIGHT:</small>		<small>SHEET</small> 1 OF 1	






	NAME	DATE	ARTICLE NO:	REVISION:	TITLE:
DRAWN	Dursun CAN				DT 210 A Front panel
CHECKED	Ali Altınışık				
 ALTINKAYA ENCLOSURES FOR ELECTRONICS www.altinkaya.com.tr			COMMENTS: DIMENSIONS ARE IN MILLIMETERS. DEBUR AND BREAK SHARP EDGES		DWG NO.
PROPRIETARY AND CONFIDENTIAL THE INFORMATION CONTAINED IN THIS DRAWING IS THE SOLE PROPERTY OF ALTINKAYA ENCLOSURES. ANY REPRODUCTION IN PART OR AS A WHOLE WITHOUT THE WRITTEN PERMISSION OF ALTINKAYA ENCLOSURES IS PROHIBITED.			MATERIAL:		DT-210-A-FrontPanel
			WEIGHT:		A4
			SCALE:1:2		SHEET 1 OF 1





<small>PROPRIETARY AND CONFIDENTIAL THE INFORMATION CONTAINED IN THIS DRAWING IS THE SOLE PROPERTY OF ALTINKAYA ENCLOSURES. ANY REPRODUCTION IN PART OR AS A WHOLE WITHOUT THE WRITTEN PERMISSION OF ALTINKAYA ENCLOSURES IS PROHIBITED.</small>			ARTICLE NO.:	REVISION:
<small>DRAWN</small> Dursun CAN			 ALTINKAYA ENCLOSURES FOR ELECTRONICS	CONTACT: www.altinkaya.com.tr
<small>CHECKED</small> Ali Altınışık				TITLE: DT 210 A PCB sample
<small>COMMENTS:</small>			<small>DWG NO.</small>	
<small>MATERIAL:</small>			<small>A3</small>	
<small>WEIGHT:</small>			<small>SCALE:1:1</small>	<small>SHEET 1 OF 1</small>