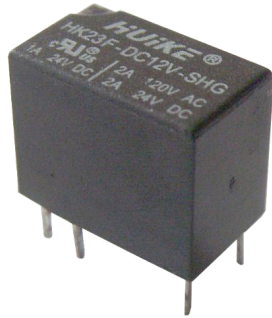


HK 23F

SUBMINIATURE HIGH POWER RELAY



Features

- Max.2A switching capability
- High sensitive: 150mW
- 1 Form C configuration
- Plastic sealed type available
- Environmental friendly product (RoHS compliant)
- Outline Dimensions: (12.5 x 7.5 x 10.3) mm

CONTACT DATA

Contact Form	1C
Contact Material	Silver Alloy
Contact Ratings	2A 120AC/2A 24VDC
Max Switching Voltage	125VAC/60VDC
Max Switching Current	2A
Max Switching Power	240VA /48W
Contact Resistance	100MΩ(at 1A 6VDC)
Electrical Life	1X10 ⁵ Ops(30Ops/min)
Mechanical Life	1X10 ⁷ Ops(300Ops/min)

GENERAL DATA

Insulation Resistance	100MΩ 500VDC	
Dielectric Strength	Between coil & contacts	1000VAC 1min
	Between open contacts	400VAC 1min
Operate Time	Max. 5ms	
Release Time	Max. 5ms	
Temperature Range	- 30°C to +70°C	
Shock Resistance	Functional	98m/s ² (10g)
	Destructive	980m/s ² (100g)
Vibration Resistance	10 to 55Hz 1.5mm	
Humidity	35% to 85% RH	
Weight	Approx. 2.2g	
Safety Standard	CUL,CQC	

COIL DATA

Nominal Voltage (VDC)	Coil Resistance at 20°C ± 10%(Ω)			Max Operate Voltage (VDC)	Min Release Voltage (VDC)	Max Applicate Voltage (VDC)
	0.15W	0.20W	0.36W			
3	60	45	25	2.25	0.30	3.90
5	167	125	70	3.75	0.50	6.50
6	240	180	100	4.50	0.60	7.80
9	540	405	225	6.75	0.90	11.70
12	960	720	400	9.00	1.20	15.60
24	/	2880	1600	18.00	2.40	31.20

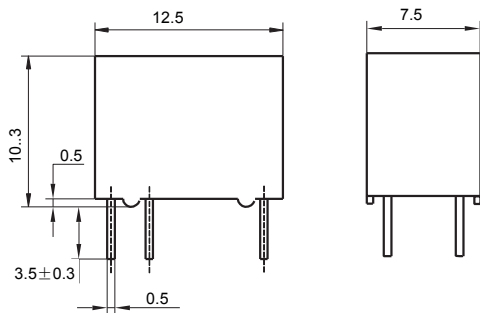
ORDERING INFORMATION

HK23F	- DC	6V	- S	D	1C	X	X	Special request code	G:RoHS
								Mounting termination	NIL:PCB
								Contact Form	NIL:1C
								Coil Power	L:0.36W D:0.15W H:0.2W
								Type of Sealing	F: Flow Solder Type S: Plastic Sealed Type
								Coil Voltage	3V,5V,6V,9V,12V,24V
								Coil Type	DC
								Type	HK23F

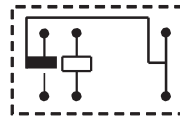
OUTLINE DIMENSIONS, WIRING DIAGRAM AND PC BOARD LAYOUT

Unit: mm

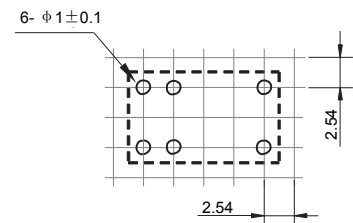
Outline Dimensions



Wiring Diagram
(Bottom view)



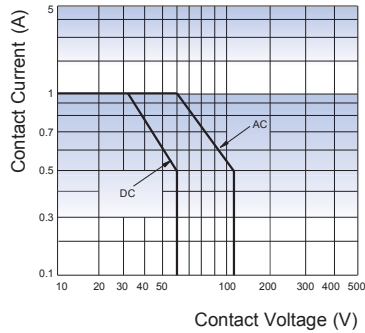
PCB Layout
(Bottom view)



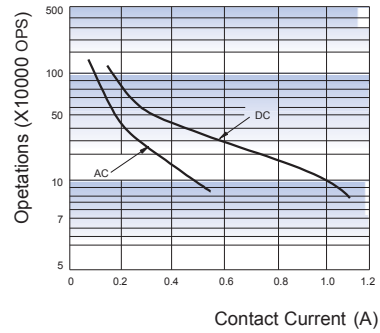
- Remark: 1) In case of no tolerance shown in outline dimension: outline dimension ≤ 1 mm, tolerance should be ± 0.2 mm; outline dimension > 1 mm and ≤ 5 mm, tolerance should be ± 0.3 mm; outline dimension > 5 mm, tolerance should be ± 0.4 mm.
2) The tolerance without indicating for PCB layout is always ± 0.1 mm.

CHARACTERISTIC CURVES

MAXIMUM SWITCHING POWER



ENDURANCE CURVE



Notice

- 1) To avoid using relays under strong magnetic field which will change the parameters of relays such as pick-up voltage and drop-out voltage.
- 2) The relay may be damaged because of falling out when shocking conditions exceed the requirement.
- 3) Regarding the plastic sealed relay, we should leave it cooling naturally until below 40°C after welding, then clean it and deal with coating, remarkably the temperature of solvents should also be controlled below 40°C. Please avoid cleaning the relay by ultrasonic, avoid using the solvents like gasoline, Freon, and so on, which would affect the configuration of relay or influence the environment.
- 4) About preferable condition of operation, storage and transportation, please refer to "Explanation to terminology and guidelines of relay".

Disclaimer

This datasheet is for the customers' reference. All the specifications are subject to change without notice.

We could not evaluate all the performance and all the parameters for every possible application. Thus the user should be in a tight position choose the suitable product for their own application. If there is any query, please contact Ever-way for the technical service. However, it is the user's responsibility to determine which product should be used only.