

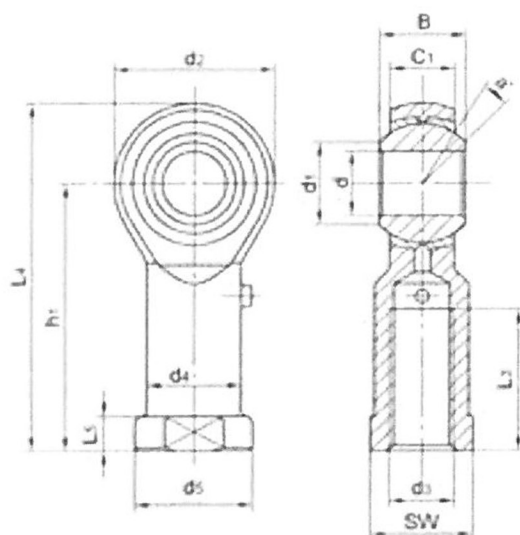
## PHS..

Ball: Gcr15 Steel, heat treated, HRC58-64,  
Precision ground, polished

Body: Carbon steel, Zinc plated,chromate treated

Race: Brass

Sliding contact surfaces: Steel/Brass



Bearing No	Dimensions(mm)														Ball dia	a' angle	Load ratings (KN)		weight Kg
	d	B	C1	d1	d2	d3-BH	h1	L3	(L4)	L5	d4	d5	SW	Dynamic			Static		
PHS3	3	6	4.5	5.1	12	M3	21	10	27	3	7	6	7	7.63	14	1.8	4.5	0.006	
PHS4	4	7	5.25	6.5	14	M4	24	12	31	4	7.8	6.5	8	9.52	13	2.2	5.6	0.013	
PHS5	5	8	6	7.7	16	M5	27	11	35	4	9	11	9	11.11	13	2.5	6.6	0.016	
PHS6	6	9	6.75	8.9	18	M6	30	13	39	5	10	13	11	12.7	13	3.2	8.1	0.025	
PHS8	8	12	9	10.3	22	M8	36	16	47	5	12.5	16	14	15.87	14	5.4	12.6	0.043	
PHS10	10	14	10.5	12.9	26	M10	43	20	56	8.5	15	19	17	19.05	13	7.5	16.6	0.072	
PHS10F1						M10x1.25													
PHS12	12	16	12	15.4	30	M12	50	23	65	8.5	17.5	22	19	22.22	13	10	22	0.107	
PHS12F2						M12x1.25													
PHS14	14	19	13.5	16.8	34	M14	57	27	74	8	20	25	22	25.4	16	13	27.8	0.160	
PHS14F1						M14x1.5													
PHS15	15	20	14	18.1	36	M14	61	30	79	8	21	26	22	25.98	16	14.5	29	0.186	
PHS16	16	21	15	19.3	38	M16	64	32	83	8	22	27	22	28.58	15	16	34.5	0.210	
PHS16F1						M16x1.5													
PHS17	17	22	16	20.6	40	M16x1.5	67	34	87	10	24	31	27	30.16	14	18	36	0.259	
PHS18	18	23	16.5	21.8	42	M18x1.5	71	35	92	10	25	31	27	31.75	15	19.5	40.8	0.265	
PHS20	20	25	18	24.3	48	M20x1.5	77	39	100	10	27.5	34	30	34.92	14	23	46.5	0.380	
PHS22	22	28	20	25.8	50	M22x1.5	84	42	109	12	30	37	32	38.1	15	26	52.6	0.490	
PHS25	25	31	22	29.5	60	M24x2	94	48	124	12	33.5	42	38	42.86	15	40.5	74.1	0.750	
PHS28	28	35	24	32.29	66	M27x2	103	53	136	12	37	46	41	47.63	15	46.1	88.7	0.950	
PHS30	30	37	25	34.8	70	M30x2	110	56	145	15	40	50	41	50.8	17	54.3	94.0	1.130	

Can supply rod ends with different pitch or accuracy of thread.

For left-hand thread, suffix "L" is added to bearing numbers. eg : PHS20L M20 x 1.5L-6H